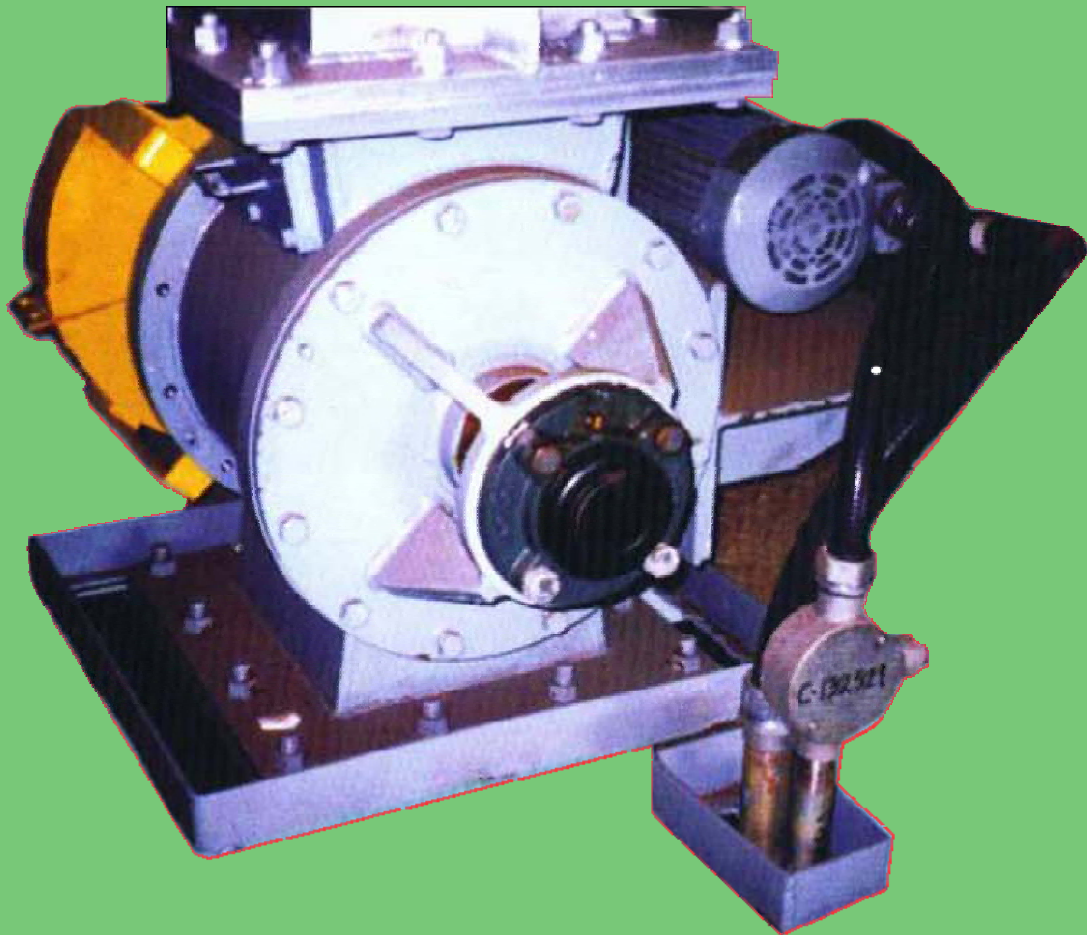


# ROTARY VALVE

MADE IN INDONESIA



# ROTARY VALVE

---

## ADVANTAGE OF SIKO's ROTARY VALVE

- High quality and precision
- Efficient operation cost due to the optimum design
- Easy to maintain and low maintenance cost, spare parts are easy to get
- Wide variety of material selection
- Wide range of capacity and size to suite customer needs.

## STANDARD CAPACITY

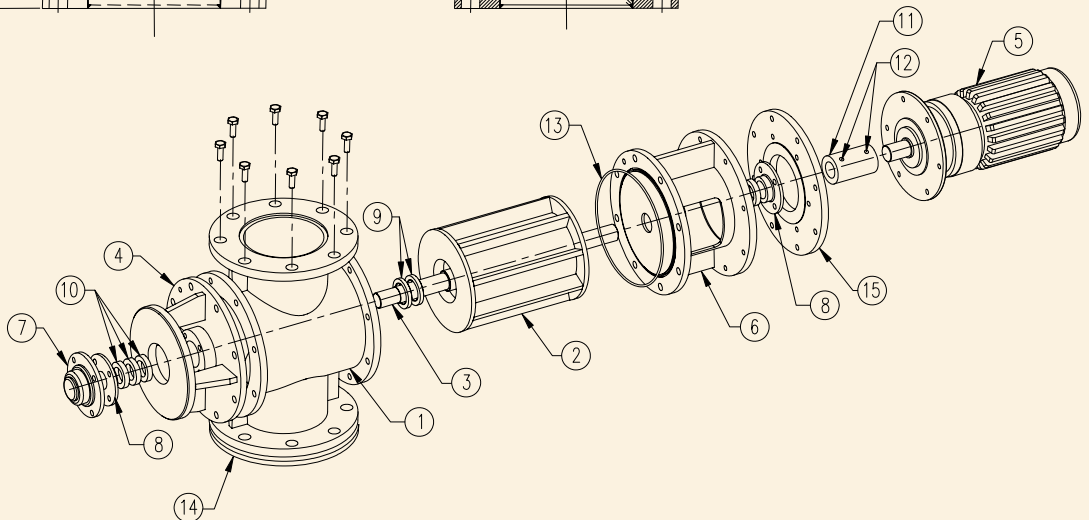
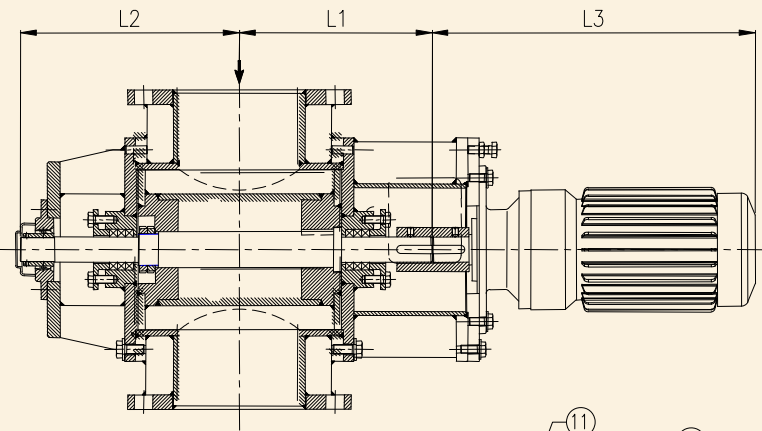
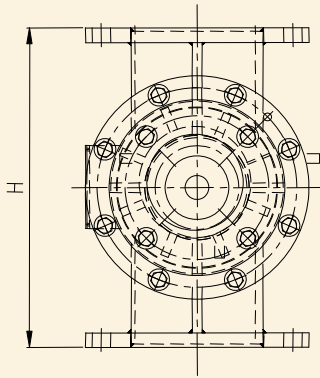
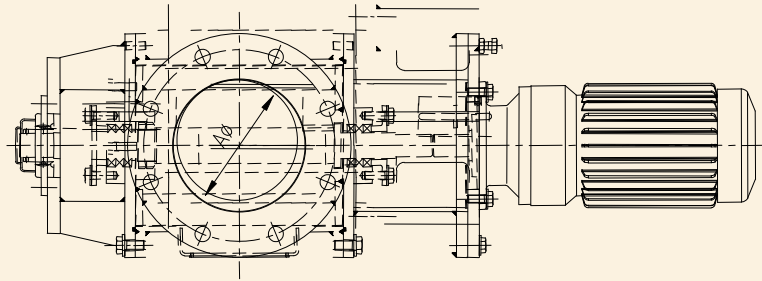
Type	Size (AØ)	Rotor Dia. (mm)	Capacity of a Rotor (l)	Capacity $\zeta = 100\%$ (m <sup>3</sup> /h)			Geared Motor (kW)
				10 rpm	20 rpm	30 rpm	
S-RV-4	100	150	1.2	0.75	1.5	2.25	0.2
S-RV-6	150	200	3.4	2.2	4.4	6.6	0.4
S-RV-8	200	250	7.5	4.5	9	13.5	0.4 ~ 0.75
S-RV-10	250	300	15	9.2	18.4	27.6	0.75 ~ 1.5
S-RV-12	300	350	24	14.0	28	42	0.75 ~ 1.5
S-RV-14	350	450	43	26	52	78	1.5 ~ 2.2
S-RV-16	400	500	70	42	84	126	1.5 ~ 2.2
S-RV-18	450	550	98	59	118	177	2.2 ~ 3.7
S-RV-20	500	600	131	77	144	231	2.2 ~ 3.7

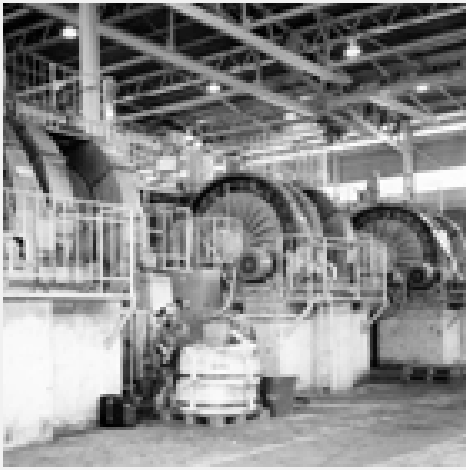
## STANDARD DIMENSION

Type	AØ	H	DØ	PCD	N-dØ	L1	L2	SØ	C	L3
S-RV-4	100	270	200	165	8 - 19	215	175	19	415	315
S-RV-6	150	350	265	230	8 - 19	270	220	29	470	370
S-RV-8	200	420	320	280	8 - 23	338	272	34	540	440
S-RV-10	250	500	385	345	12 - 23	420	340	39	600	540
S-RV-12	300	550	430	390	12 - 23	450	370	39	670	550
S-RV-14	350	650	480	435	12 - 23	460	375	49	700	570
S-RV-16	400	700	540	495	16 - 25	540	460	59	790	650
S-RV-18	450	850	605	555	16 - 25	570	490	59	880	680
S-RV-20	500	900	655	605	20 - 25	590	510	64	910	700

## Total Solution for Customer Satisfaction

1	CASING
2	ROTOR
3	SHAFT
4	SIDE COVER
5	MOTOR
6	MOTOR SUPPORT
7	BEARING
8	GLAND HOLDER
9	LOCK NUT
10	GLAND PACKING
11	BUSHING COUPLING
12	GRUB SCREW
13	O RING
14	GASKET
15	MOTOR PAD





## pt. cemara siko engineering indonesia

Head Office :  
Gedung Mandiri Lantai 4.  
Jl. Tanjung Karang No. 3-4A  
Jakarta Pusat - 10230  
Phone. +6221-3162540  
Fax. +6221-3162542  
Email : [corp@siko.co.id](mailto:corp@siko.co.id)  
Website : [www.siko.co.id](http://www.siko.co.id)

Project Office :  
Jl. Kendal No. 7, Blora  
Jakarta Pusat - 10310  
Phone. +6221-3907655/56/57